

CROMTECH™ AIR MOVERS & VENTILATORS

OPERATION & INSTRUCTION MANUAL

Thank you for your selection of a *CROMTECH* Air Blower / Ventilator.

This Operation Manual explains its use, installation, checking and maintenance. CROMMELINS suggest that you retain this manual for ready reference regarding proper handling of *CROMTECH* Air Blower / Ventilator.



Spare Parts & Service

Phone: 1300 554 524

Freecall Fax: 1800 636 281

spareparts@crommelins.com.au

www.crommelins.com.au

1. INDEX

Australian Warranty Information	5
Understand the Warnings	6
Air Mover Operation & Maintenance	7
Ventilator Operation & Maintenance	8
Model Specifications	9
C21, C22, D21, AP110009, AP1100012 and HT Series	
Troubleshooting	10
Maintenance Schedule	11
C21, C22, D21 - Assembly & Parts	12
AP110009 & AP1100012 - Assembly & Parts	13
HT Series - Assembly	14
HT Series - Parts	15

AUSTRALIAN WARRANTY INFORMATION

1 YEAR CROMTECH MANUFACTURER'S WARRANTY

Cromtech™ Air Movers and Ventilators have a 1 year manufacturer's warranty.

WARRANTY EXPLAINED

CROMTECH™ is a registered trademark of Crommelins Machinery.

Crommelins Machinery warrants their goods against defects in materials and workmanship under normal use and service.

The Crommelins Machinery warranty does not cover fair wear commensurate with the age of the product, any damage caused by accident, abuse, misuse, neglect or failure to observe proper operating instructions or proper machinery maintenance as described in the instruction manual.

It is the owner's responsibility to regularly maintain a product in accordance to the owner's manual and only use the equipment for its designed purpose.

Our goods come with guarantees that cannot be excluded under the Australian Consumer Law. You are entitled to a replacement or refund for a major failure and for compensation for any other reasonably foreseeable loss or damage. You are also entitled to have goods repaired or replaced if the goods fail to be of acceptable quality and the failure does not amount to a major failure.

CONSUMER ADVICE

Any claim under these warranties must be made within warranty period from the date of purchase of the product.

Refer to the list of Warranty and Service Agents listed for your nearest authorised warranty repair agent online at www.crommelins.com.au or contact 1300 650 659 for more information.

To make a claim under the warranty, you must return the product (with proof of purchase) to the closest warranty agent or to the place of purchase.

Where a failure does not amount to a major failure, Crommelins Machinery is entitled to choose between providing you with a repair, replacement or refund. To obtain compensation, you would need to provide documentary evidence of the loss or damage suffered, and documentary evidence that such loss or damage was a reasonably foreseeable consequence of a failure by Crommelins Machinery to comply with a consumer guarantee under the Australian Consumer Law.

Crommelins Operations Pty Ltd trading as Crommelins Australia and Crommelins Machinery

ABN 11 008 889 656

PO Box 352, BENTLEY WA 6982

Ph: (08) 9350 5588

Fax: (08) 9451 6381

email@crommelins.com.au

www.crommelins.com.au

READ AND UNDERSTAND ALL WARNINGS AND INSTRUCTIONS BEFORE USING THIS AIR MOVER

⚠ WARNING To reduce the risk of fire, electric shock, or injury:

- 1) Read the manual carefully and completely before attempting to operate the unit. This manual has important information for the use and safe operation of the machine. Following the recommendations outlined in this manual will assure years of satisfactory service from your unit
- 2) Improper connection of the equipment grounding conductor can result in a risk of fire, electrical shock or personal injury. Always use a three-wire electrical system connected to the electrical ground. For maximum protection against electrical shock, use a circuit that is protected by ground fault circuit interrupter. Check with a qualified electrician or service person if you are in doubt as to whether your outlet is properly grounded. Do not use a unit with a damaged cord or plug.
- 3) Machines can cause an explosion when near a flammable materials and vapours. Do not use or store this machine near fuels, grain dust, solvents, thinners, or other flammable materials. Do not use flammables to clean this machine.
- 4) Do not immerse or use this unit in standing water. Such use may cause electric shock. To avoid electrical shock, do not expose to rain – store it indoors only. Do not expose the unit to freezing temperatures
- 5) Do not move or carry the unit when it is turned on. Do not pull or carry the cord, use cord as a handle, close a door on the cord or pull cord around sharp edges/corners. Keep cord away from heated surfaces. Do not unplug cord by pulling on it. To unplug, grasp plug, not the cord. Do not handle plug or air mover with wet hands.
- 6) Do not put any objects into openings. Do not use with any opening blocked; keep free of dust, lint, hair and anything that may reduce air flow. Keep hair, loose clothing, fingers and all parts of the body away from openings and moving parts.
- 7) Turn off all controls before unplugging
- 8) Operate unit on a level and stable surface to prevent it from falling and possibly cause injury or damage
- 9) Do not drop or throw unit. Treatment of this type can cause damage to the components and create hazardous conditions.

AIR MOVER OPERATION & MAINTENANCE

OPERATION:

Plug your air mover into a standard grounded outlet with the correct voltage and amperage. If you are unsure about the outlet, contact an electrician. Turn on the switch and check the unit operates properly before letting it run.

GROUNDING INSTRUCTIONS:

This machine must be grounded. If it should malfunction or break down, grounding the machine provides a path of least resistance for electric current to reduce the risk of electric shock. This machine is equipped with a cord having an equipment-grounding conductor and grounding plug. The plug must be inserted into an appropriate outlet that is properly installed and grounded (in accordance with all local codes and ordinances).

⚠ WARNING Improper connection of the equipment-grounding conductor can result in a risk of electric shock. Check with a qualified electrician or service person if you are in doubt as to whether the outlet is properly grounded. Do not modify the plug provided with the machine if it will not fit the outlet: have a proper outlet installed by a qualified electrician. This machine is designed to operate on a standard 10amp, 240V, 50Hz, AC circuit. Voltages below 230V and above 250V could result in serious damage to the motor.

EXTENSION CORDS:

Use only three-wire 16/3 or large gauge approved extension cords that have a three-prong grounding type plugs and three-pole receptacles that accept the appliances plug. Replace or repair damage cords or plugs.

⚠ WARNING For safe operation of this machine follow the instructions given in this booklet. Failure to do so can result in personal injury and/or damage to machine and property.

⚠ WARNING DO NOT OPERATE MACHINE IN AN EXPLOSIVE ENVIRONMENT!

MAINTENANCE:

- Inspect the electrical cord and wiring for damage or discoloration
- Inspect for loose fasteners
- Clean screens on the side and front of the unit
- Listen for abnormal sounds
- Keep unit clean

PERIODIC MAINTENANCE

Use compressed air or a vacuum to remove lint and other debris from the motor, screen and blower wheel. Do not use a pressure washer to clean the unit

VENTILATOR OPERATION & MAINTENANCE (HT Series)

The HT series portable propeller ventilators are light weight, powerful wind-powered fans built from HD plastics and metals. They have been specially manufactured for powerful ventilation in rooms, factories and other work situations.

ENVIRONMENT OF USE:

- 1) The max relative humidity is 90%(when in 25°C)
- 2) Below 1000 meters altitude.

USE AND MAINTAIN:

- 1) Make sure the ventilator's voltage in accordance with local voltage before use.
- 2) Ventilator is for indoor use only. Ventilator is not designed for high humidity situations.
- 3) After 1000 hours, lubrication of main axletree is required. Please arrange a local authorised Service Agent to service unit, to ensure the ventilator has long-life.
- 4) If the supply cord is damaged it must be replaced by a special cord or assembly available from the manufacture or its service agent.
- 5) Ventilator must be repaired by an authorised Service Agent

NOTE:

- 1) The ventilator must be used indoors.
- 2) Children or handicapped must be in accompany with adult/guardian/carer.
- 3) Before any cleaning or maintenance ensure Ventilator is switched off and unplugged.
- 4) Maximum length of ducting is XX meters

WARNING

- 1) Do not use in a flammable and explosive environment.
- 2) Keep out away from open vents of gas or other open-fire appliances. Avoid the back-flow of gases into rooms.
- 3) The ventilator must be grounded to avoid electric shock danger.

MODEL SPECIFICATIONS

AIR MOVERS				
MODEL	C21	C22	D22	AP110009
Name	Mid Blower	C Max Blower	D Max Blower	Mars Blower
Power (hp)	0.5hp	1.0hp	0.75hp	0.75hp
Air Volume(CFM)	2200CFM	3800CFM	2455CFM	2455CFM
Volts	240v - 50Hz			
Amps (low/med/high)	2.1 / 2.8 Amps	4 / 4.5 / 5.5 Amps	2.1 / 2.2 / 2.3 Amps	2.4 / 2.3 / 2.2 Amps
Speed	2x Speed	3x Speed	3x Speed	3x Speed
Motor	4 Pole			
dB(A)	65db	70db	78db	68db
Weight	13.5kg	16.5kg	16kg	13kg
Cord Length (m)	4.5m			
Dimensions (LxWxH)	300x280x330mm	470x490x500mm	520x450x540mm	510x430x500mm

VENTILATORS				
MODEL	HT20	HT25	HT30	AP110012
Name	8" Metal Blower	10" Metal Blower	12" Metal Blower	12" Typhoon Blower
Watts(w)	230w	320w	520w	750w
Fan Size (inch & mm)	8" (Ø 200mm)	10" (Ø 250mm)	12" (Ø 300mm)	12" (Ø 300mm)
M³/min	25m ³	43m ³	65m ³	65m ³
Pa	245	294	373	540
Volts	240v - 50Hz			
Rpm	2800 rpm			3200 rpm
Speed	1x Speed			
Motor	2 Pole			
dB(A)	60dB(A)	68dB(A)	78dB(A)	68dB(A)
Weight	7kg	8.5kg	10.5kg	14kg
Cord Length (m)	2.5m			
Dimensions (LxWxH)	330x240x360mm	380x310x360m	420x360x460mm	520x400x500mm

TROUBLESHOOTING

Problem	Cause	Solution
Unit will not run	<ol style="list-style-type: none"> 1. No power to unit 2. Switch not on 3. Switch faulty 4. Faulty/broken cord or motor wire 	<ol style="list-style-type: none"> 1. Plug unit in. Check circuit breaker 2. Place in 'ON' position 3. Replace switch 4. Perform continuity check, using volt/amp meter. Repair/replace if faulty broken wire
Unit runs but air mover makes loud scraping noise	<ol style="list-style-type: none"> 1. Unit has been severely jolted causing blower wheel to rub against housing 2. Unit has been severely jolted causing housing to deform 	<ol style="list-style-type: none"> 1. Remove motor and replace damaged motor mounts 2. Replace blower wheel
Unit runs but vibrates excessively	<ol style="list-style-type: none"> 1. Severe jolt has bent motor shaft causing unit to be out of balance 2. Air mover blade damaged 3. Dirt build up on one side of air mover blade 	<ol style="list-style-type: none"> 1. Remove and replace motor 2. Replace blade if necessary 3. Clean air mover blade
Unit runs but blower wheel does not turn	<ol style="list-style-type: none"> 1. Motor bearings are failing or motor has developed an internal electrical fault 2. Intake grill and/or exhaust grill is obstructed 3. Excessive duct length (SHT30-1) 	<ol style="list-style-type: none"> 1. Replace motor 2. Remove obstruction 3. Reduce duct length to recommended maximum (SHT30-1)

MAINTENANCE SCHEDULE

AIR MOWERS (Ensure unit is switched off and unplugged)	
DAILY	<ul style="list-style-type: none">• Inspect electrical cord and wiring for damage• Inspect for loose fasteners• Clean screens on the side and front of the unit• Listen for abnormal sounds• Keep unit clean
PERIODIC	<ul style="list-style-type: none">• Use compressed air or a vacuum to remove lint and debris from the motor, screen and blower wheel (Do not use a pressure washer to clean the unit)

VENTILATORS (Ensure unit is switched off and unplugged)	
DAILY	<ul style="list-style-type: none">• Check the ventilator's voltage recommendation meets the output• Inspect electrical cord and wiring for damage• Inspect for loose fasteners• Clean screens on the side and front of the unit• Listen for abnormal sounds• Keep unit clean
PERIODIC	<ul style="list-style-type: none">• Use compressed air or a vacuum to remove lint and debris from the motor, screen and blower wheel (Do not use a pressure washer to clean the unit)• After 1000 hours, lubrication of main axletree is required. Please arrange a local authorised Service Agent to service unit, to ensure the ventilator has long-life.

C21 & C22 ASSEMBLY & PARTS

C21 - MID BLOWER:

Mid Blower

ref#	doscription	qty	ref#	doscription	qty	ref#	doscription	qty
1	screw	19	7	front guard	1	12	Mini Blower shell	1
2	on/off rocker switch	1	8	AC motor	1	13		
3	switch plate	1	9	rivet	4	14		
4	strain relief-lq tight	1	10	blower wheel,cage	1	15		
5	power cord	1	11	guard,intake	2	16		
6	nut,hex	1						

C22 - C MAX BLOWER:

Max Blower

ref#	doscription	qty	ref#	doscription	qty	ref#	doscription	qty
1	screw	19	7	front guard	1	12	Mini Blower shell	1
2	on/off rocker switch	1	8	AC motor	1	13		
3	switch plate	1	9	rivet	4	14		
4	strain relief-lq tight	1	10	blower wheel,cage	1	15		
5	power cord	1	11	guard,intake	2	16		
6	nut,hex	1						

D22, AP110009 & AP1100012 ASSEMBLY & PARTS

D22 - D MAX BLOWER:

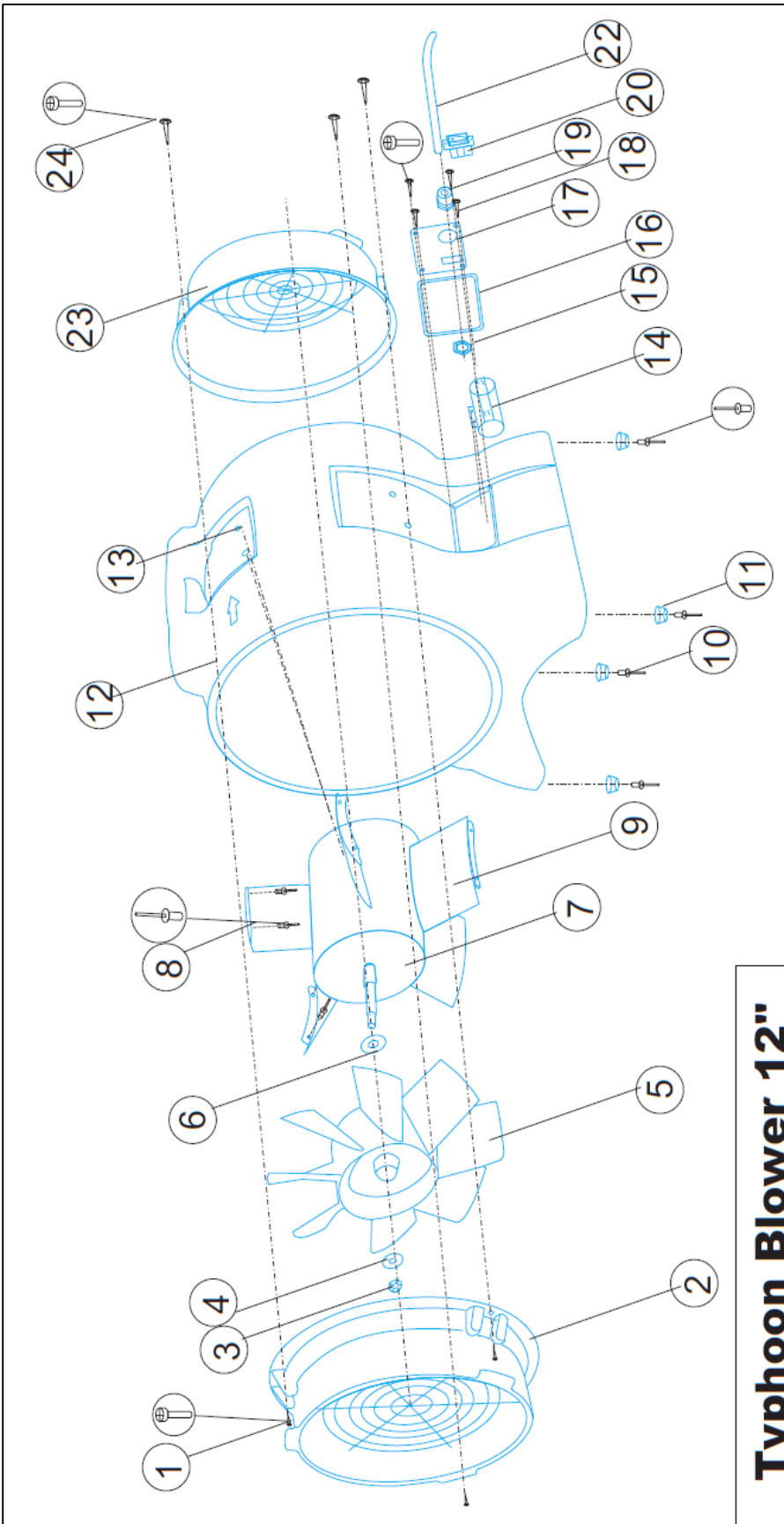
D Max Blower

ref#	description	qty	ref#	description	qty	ref#	description	qty
1	screw	19	7	front guard	1	12	Blower shell	1
2	on/off rocker switch	1	8	AC motor	1	13		
3	switch plate	1	9	rivet	4	14		
4	strain relief-lq tight	1	10	blower wheel,cage	1	15		
5	power cord	1	11	guard,intake	2	16		
6	nut,hex	1						

AP11009 & AP1100012:

Mars Blower

ref#	description	qty	ref#	description	qty	ref#	description	qty
1	screw	16	7	nut,hex	1	12	rivet	8
2	on/off rocker switch,blk	1	8	front guard	1	13	kickstand	1
3	on/off rocker switch,cap	1	9	AC motor	1	14	blower wheel,cage	1
4	switch plate	1	10	housing - blower	1	15	guard,intake	2
5	strain relief-lq tight	1	11	rubber foot	2	16	Carpet Lock	1
6	power cord	1						



Typhoon Blower 12"

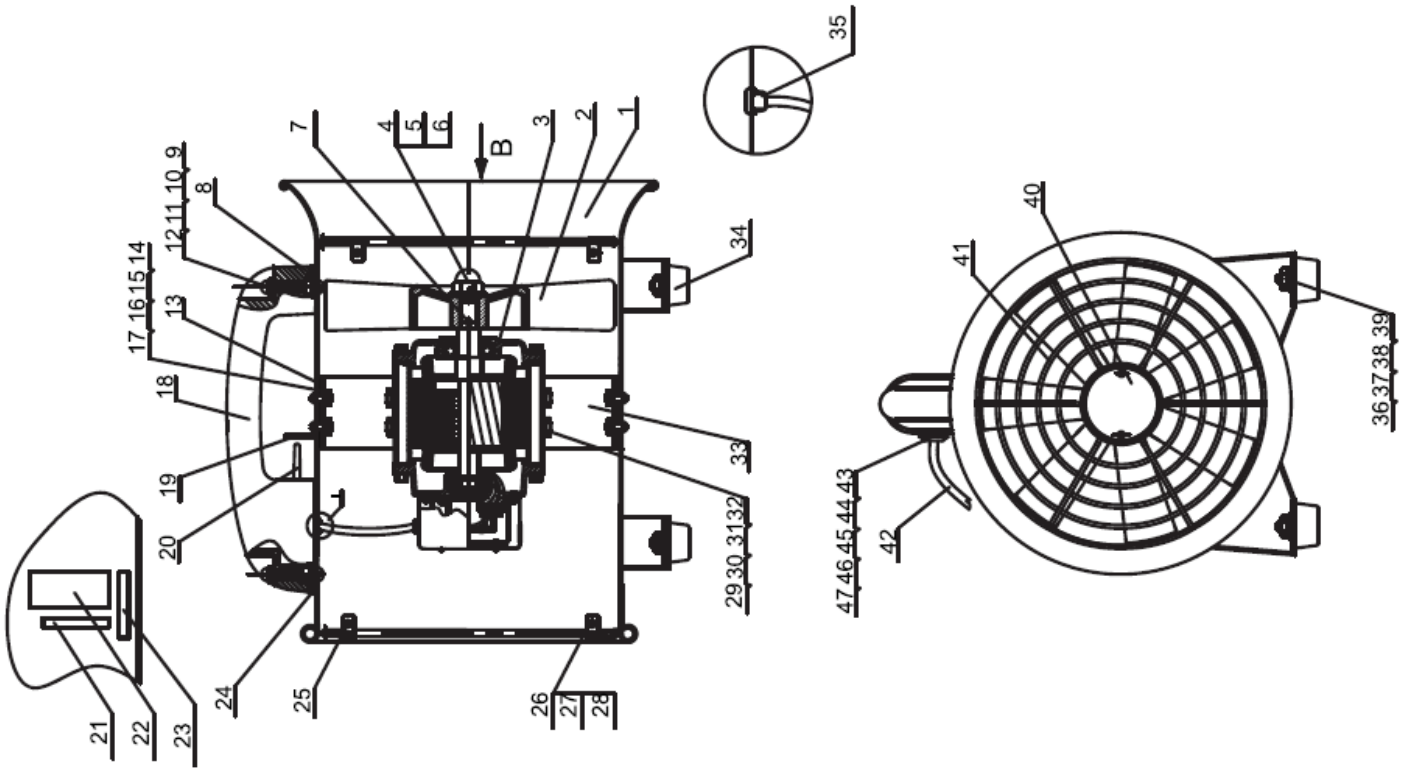
ref#	description	qty
1	screw	6
2	wire grills	1
3	nut	1
4	flat washer	1
5	fan blade	1
6	blade backing washer	1
7	AC motor	1
8	Rivet	10

ref#	description	qty
9	vane motor mount	5
10	Rivet	4
11	rubber foot	4
12	12" shell	1
13	Rivet hole	10
14	Capacitor	1
15	nut, hex	1
16	gasket, switch plate	1

ref#	description	qty
17	switch plate	1
18	screw	4
19	strain relief-lq tight	1
20	on/off rocker switch, blk	1
21	power cord	1
22	wire grills	1
23	screw	6
24		

HT SERIES PARTS

EXPLODED DIAGRAM



o.	Code	Name	Qty	Specification/material	Remarks
1	SHT-30-020-010-000	Cylinder	1	$\delta = 1.2/A3$ Cold plate	Spray
2	SHT-30-030-000-000	Fan blade	1	Cast aluminium	Spraying/optical vibration
3	SHT-30-010-000-020	Motor assembly	1		
4	GB95-85	Washer	1	$\varnothing 14$	Color zinc plating
5	GB593-85	Spring washer	1	$\varnothing 14$	Color zinc plating
6	GB802-76	Combined cap nut	1	M14	Color zinc plating
7		Cross pin	1	$\varnothing 5 \times 25/A3$ Cooling element	
8	SHT-30-020-060-040	Plastic handle small blocks	1	Rubber	
9	GB95-85	Washer	2	$\varnothing 6$	Color zinc plating
10	GB593-87	Spring washer	2	$\varnothing 6$	Color zinc plating
11	GB67-85	Cross recessed pan head screws	2	M6X40	Color zinc plating
12	GB802-76	Combined cap nut	2	M6	Color zinc plating
13	SHT-30-020-050-000	Motor bracket rubber pad	4	Rubber	
14	GB67-85	Cross recessed pan head screws	8	M5X12	Color zinc plating
15	GB95-85	Washer	8	$\varnothing 5$	Color zinc plating
16	GB593-87	Spring washer	8	$\varnothing 5$	Color zinc plating
17	GB41-86	Six corner	8	M5	Color zinc plating
18	SHT-30-020-060-010	SHT plastic handle	1	(06Years of edition)	
19	SHT-30-020-060-050	Switch plate	1	$\delta = 1.5/A3$	Electroplating zinc white
20		Button switch	1	HY29E	
21	SHT-30-050-030-000	Direction sign	1	Stickers	
22	SHT-30-050-010-000	Nameplate	1	Stickers	
23	SHT-30-050-030-000	Turning marking	1	Stickers	
24	SHT-30-020-060-030	Plastic handle large cushion block	1	Rubber	
25	SHT-30-040-010-010	Network board	8	$\delta = 1.5mm/Cold plate$	Electroplating zinc white
26	GB95-85	Washer	8	$\varnothing 5$	Color zinc plating
27	GB593-87	Spring washer	8	$\varnothing 5$	Color zinc plating
28	GB67-85	Cross recessed pan head screws	8	M5X10	Color zinc plating
29	GB37-88	T slot bolt	8	M6X20	Color zinc plating
30	GB95-85	Washer	8	$\varnothing 6$	Color zinc plating
31	GB593-87	Spring washer	8	$\varnothing 6$	Color zinc plating
32	GB41-86	Six corner	8	M6	Color zinc plating
33	SHT-30-020-040-000	Motor bracket	4	$\delta = 2mm/A3Cold plate$	Spray
34	SHT-30-020-030-000	The Ottomans	4	Rubber	
35		Line deduction	1	ABS	
36	GB67-85	Cross recessed pan head screws	4	M6X20	Color zinc plating
37	GB95-85	Washer	4	$\varnothing 6$	Color zinc plating
38	GB593-87	Spring washer	4	$\varnothing 6$	Color zinc plating
39	GB41-86	Six corner	4	M6	Color zinc plating
40	SHT-30-050-020-000	Net label	2	Aluminium plate	
41	SHT-30-041-010-000	Safety net	2	A3Cool/cold plate	Plating/coating
42		Power cord	1	RVV 2X0.75+0.75mm	
43	SHT-30-020-060-060	Protective cover plate	1	$\delta = 1.5mm/A3Cold plate$	Electroplating zinc white
44	GB67-85	Cross recessed pan head screws	2	M4X15	Color zinc plating
45	GB95-85	Washer	2	$\varnothing 4$	Color zinc plating
46	GB593-87	Spring washer	2	$\varnothing 4$	Color zinc plating
47	GB41-86	Six corner	2	M4	Color zinc plating

CROMMELINS™
MACHINERY

**CROMTECH™ AIR MOVERS
& VENTILATORS**

OPERATION & INSTRUCTION MANUAL

Spare Parts & Service

Phone: 1300 554 524

Freecall Fax: 1800 636 281

spareparts@crommelins.com.au

www.crommelins.com.au